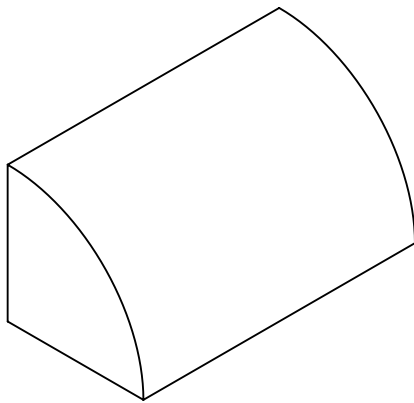
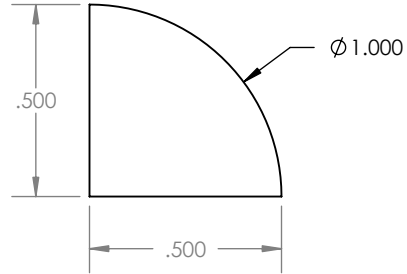
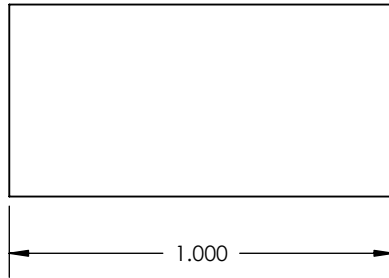



MATERIAL: STEEL OR TUNGSTEN CARBIDE

REV	ECO NO.	ECO TITLE	DATE
---	-----	-----	--/--/--



<p><b>PROPRIETARY INFORMATION</b></p> <p>THE INFORMATION CONTAINED IN THIS DRAWING IS THE SOLE PROPERTY OF MICRO SURFACE ENGR. INC. AND IS FURNISHED FOR INFORMATIONAL PURPOSES ONLY.</p> <p>© 2006 MICRO SURFACE ENGR. INC.</p>	<p>UNLESS OTHERWISE SPECIFIED:</p> <p>DIMENSIONS ARE IN INCHES</p> <p>TOLERANCES:            ANGULAR: 1°            TWO PLACE DECIMAL ±.01            THREE PLACE DECIMAL ±.005</p>	 <p><b>Bal-tec</b><sup>TM</sup>            1550 E. SLAUSON AVE            LOS ANGELES, CA 90011</p>	<p>TITLE</p> <p><b>KINEMATIC QUARTER ROUND</b></p>		<p>NUMBER</p> <p>QR-100-S/QR-1000-TC</p>	<p>REV</p> <p><b>01</b></p>		
	<p>INTERPRET GEOMETRIC TOLERANCING PER: ANSI Y14.5</p>		<p>ENGINEER</p> <p><b>GENE GLEASON</b></p>	<p>DWN BY</p> <p><b>RJV</b></p>	<p>DATE DRAWN</p> <p><b>12/02/06</b></p>	<p>SIZE</p> <p><b>A</b></p>	<p>SCALE</p> <p><b>2:1</b></p>	<p>PAGE</p> <p><b>1 OF 1</b></p>