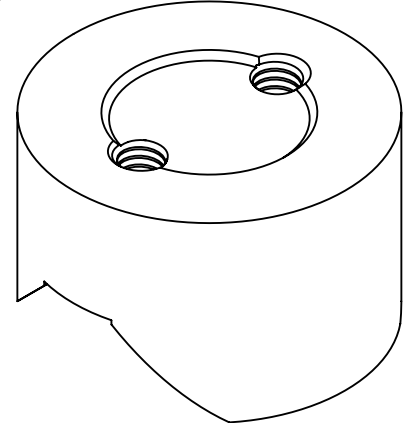
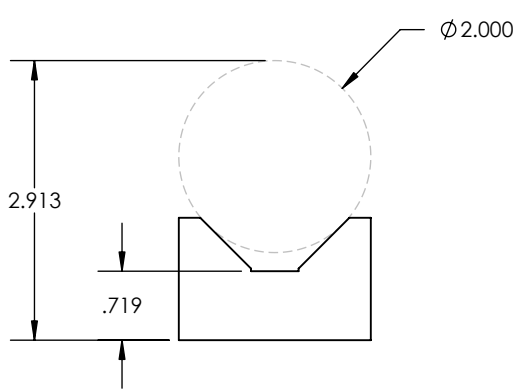
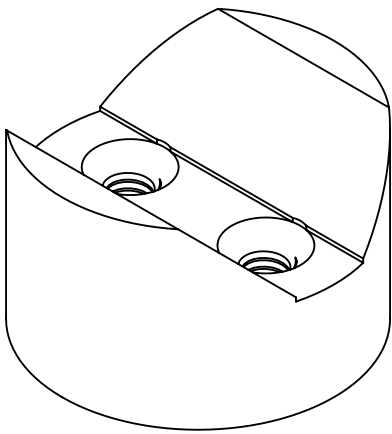
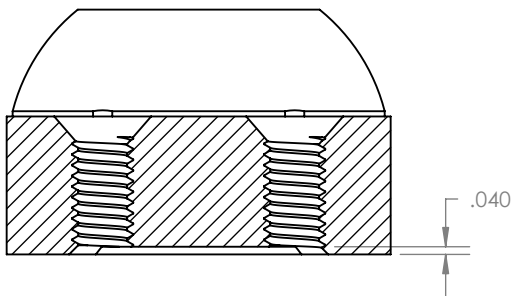
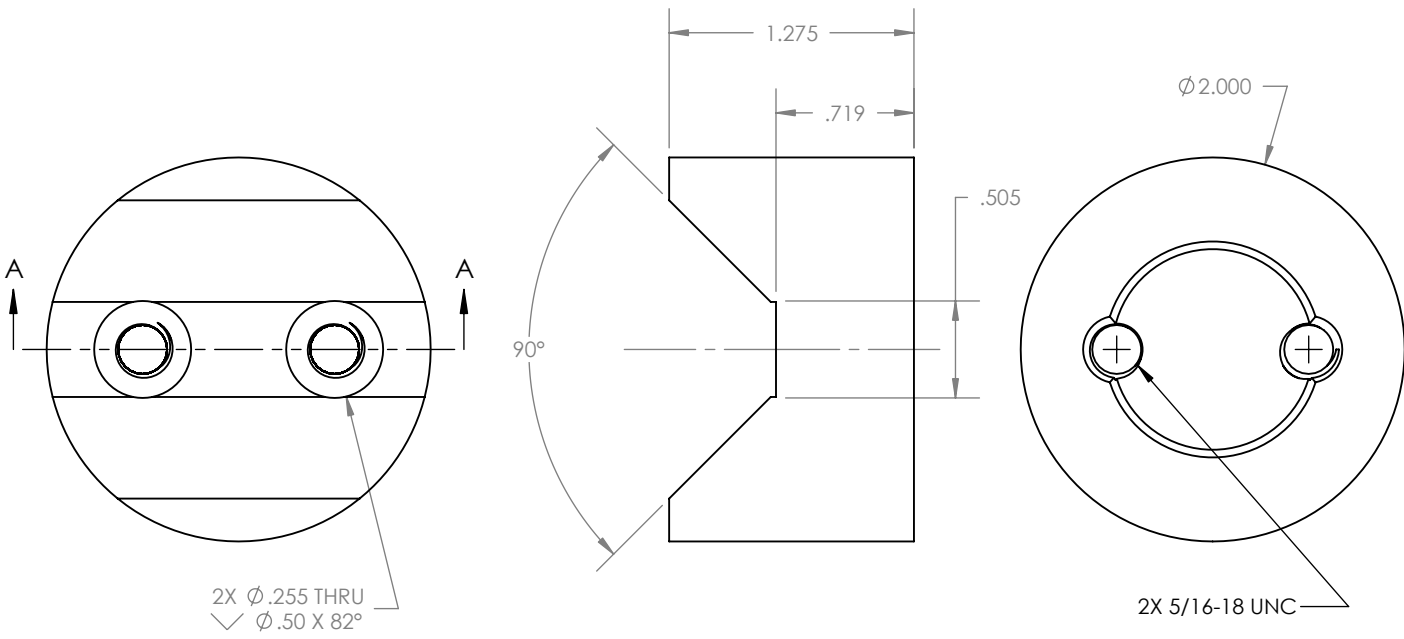


REV	ECO NO.	ECO TITLE	DATE
---	-----	-----	--/--/--




PROPRIETARY INFORMATION

THE INFORMATION CONTAINED IN THIS DRAWING IS THE SOLE PROPERTY OF MICRO SURFACE ENGR. INC. AND IS FURNISHED FOR INFORMATIONAL PURPOSES ONLY.

© 2006 MICRO SURFACE ENGR. INC.

UNLESS OTHERWISE SPECIFIED:
 DIMENSIONS ARE IN INCHES
 TOLERANCES:
 ANGULAR: 1°
 TWO PLACE DECIMAL \pm .01
 THREE PLACE DECIMAL \pm .005

INTERPRET GEOMETRIC TOLERANCING PER: ANSI Y14.5



Bal-tecTM

1550 E. SLAUSON AVE
 LOS ANGELES, CA 90011

TITLE		NUMBER	REV
VEE BLOCK - SURFACE MOUNT - GIANT		VB-2000-SM	001
ENGINEER	DWN BY	DATE DRAWN	SIZE
GENE GLEASON	RJV	12/02/06	A
SCALE	PAGE		
1:1	1 OF 1		