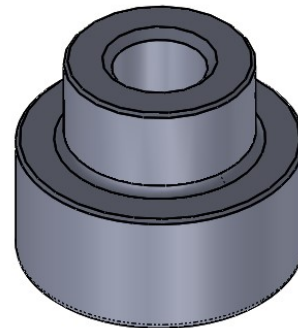
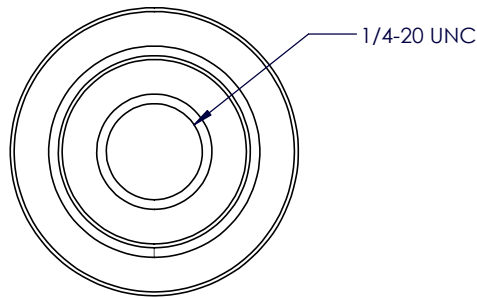
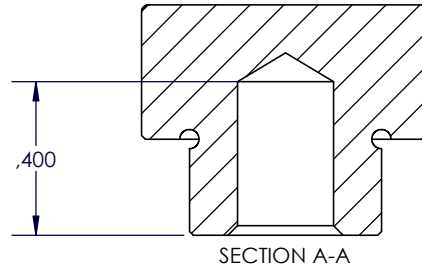
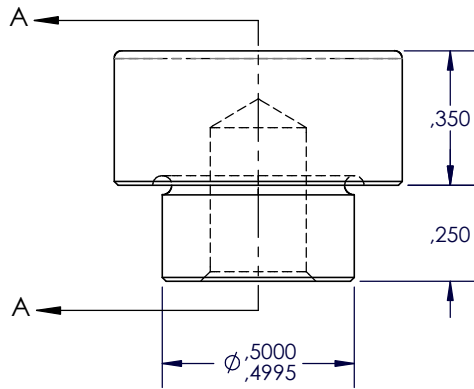
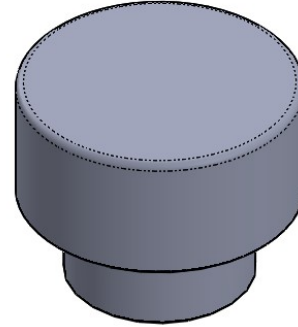
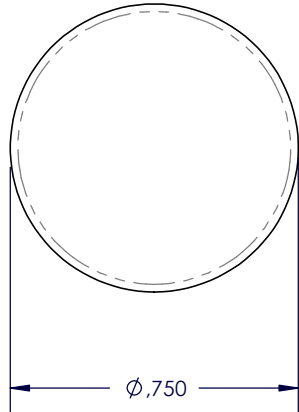


REV	ECO NO.	ECO TITLE	DATE
01	-----	DRAWING UPDATE	05/16/14
02	-----	DRAWING UPDATE	12/27/23



<p>PROPRIETARY INFORMATION</p> <p>THE INFORMATION CONTAINED IN THIS DRAWING IS THE SOLE PROPERTY OF MICRO SURFACE ENGR. INC. AND IS FURNISHED FOR INFORMATIONAL PURPOSES ONLY.</p> <p>© 2006 MICRO SURFACE ENGR. INC.</p>	<p>UNLESS OTHERWISE SPECIFIED:</p> <p>DIMENSIONS ARE IN INCHES</p> <p>TOLERANCES: ANGULAR: 1° TWO PLACE DECIMAL ±.01 THREE PLACE DECIMAL ±.005</p> <p>INTERPRET GEOMETRIC TOLERANCING PER: ANSI Y14.5</p>	 <p>Bal-tecTM 1550 E. SLAUSON AVE LOS ANGELES, CA 90011</p>	<p>TITLE</p> <p>FLAT - CYLINDRICAL POST MOUNTED</p>		<p>NUMBER</p> <p>F-75-CPM</p>	<p>REV</p> <p>02</p>	
	<p>ENGINEER</p> <p>GENE GLEASON</p>		<p>DWN BY</p> <p>CLB</p>	<p>DATE DRAWN</p> <p>12/27/23</p>	<p>SIZE</p> <p>A</p>	<p>SCALE</p> <p>2:1</p>	<p>PAGE</p> <p>1 OF 1</p>