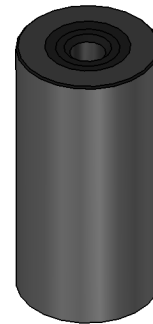
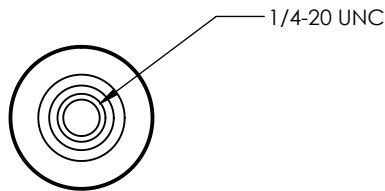
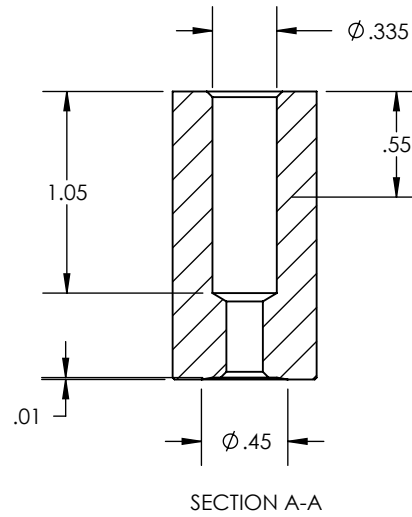
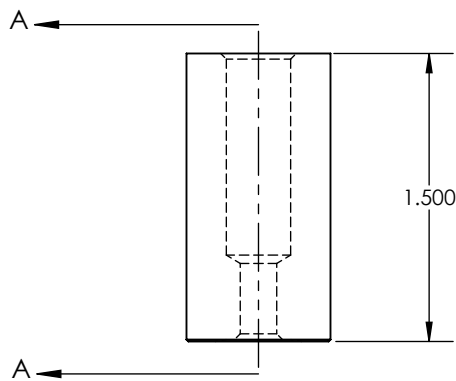
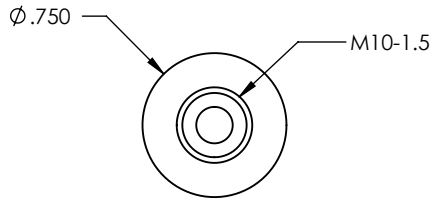



REV	ECO NO.	ECO TITLE	DATE
01	-----	DRAWING UPDATE	05/16/14



<p><b>PROPRIETARY INFORMATION</b></p> <p>THE INFORMATION CONTAINED IN THIS DRAWING IS THE SOLE PROPERTY OF MICRO SURFACE ENGR. INC. AND IS FURNISHED FOR INFORMATIONAL PURPOSES ONLY.</p> <p>© 2006 MICRO SURFACE ENGR. INC.</p>	<p>UNLESS OTHERWISE SPECIFIED:</p> <p>DIMENSIONS ARE IN INCHES</p> <p>TOLERANCES:          ANGULAR: <math>1^\circ</math>          TWO PLACE DECIMAL <math>\pm .01</math>          THREE PLACE DECIMAL <math>\pm .005</math></p> <p>INTERPRET GEOMETRIC TOLERANCING PER: ANSI Y14.5</p>	 <p><b>Bal-tec</b><sup>TM</sup>          1550 E. SLAUSON AVE          LOS ANGELES, CA 90011</p>	<p>TITLE  <b>FLAT CYLINDER - SURFACE MOUNTED</b></p>		<p>NUMBER  <b>F-75-SM</b></p>	<p>REV  <b>01</b></p>
	<p>ENGINEER  <b>GENE GLEASON</b></p>		<p>DWN BY  <b>BLC</b></p>	<p>DATE DRAWN  <b>05/16/14</b></p>	<p>SIZE  <b>A</b></p>	<p>SCALE  <b>1:1</b></p>